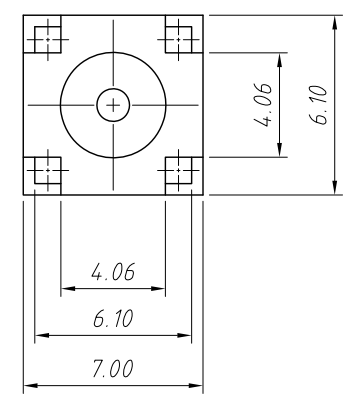
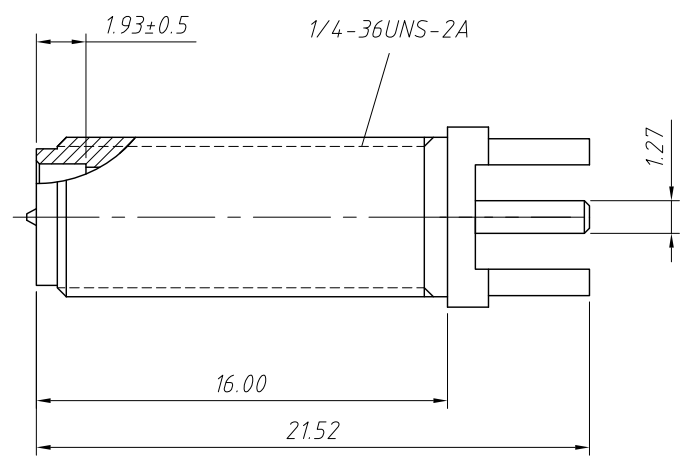
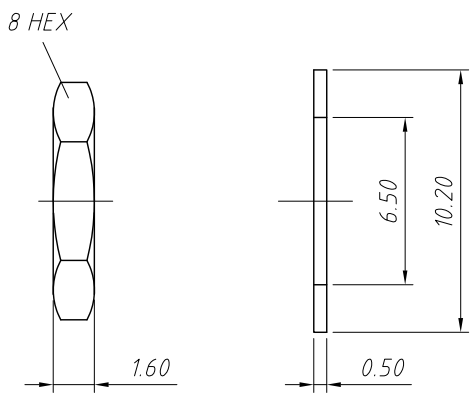
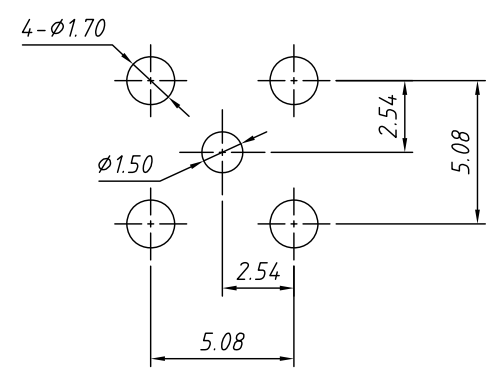


1
RoHS Compliance



Material:
 Body: Brass, Gold Plating
 Contact Pin: Brass, Gold Plating
 Insulator: PTFE, Natural
 Washer: Brass, Gold Plating
 Hex Nut: Brass, Gold Plating

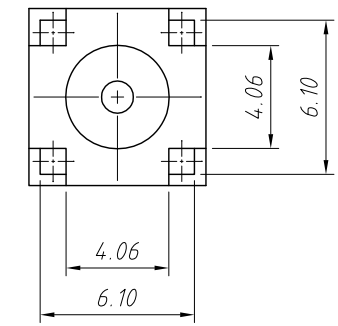
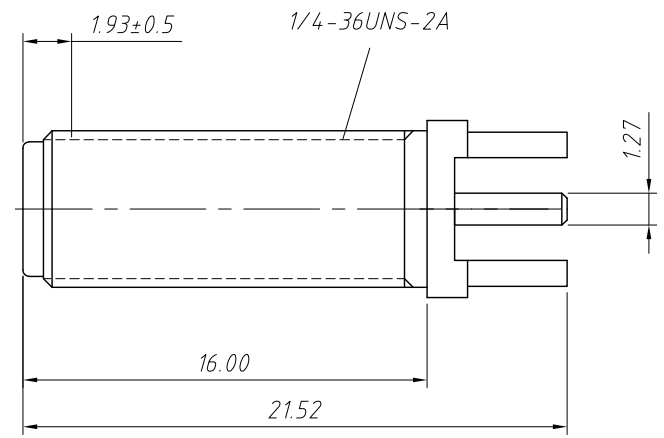
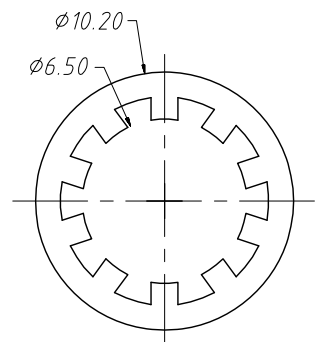
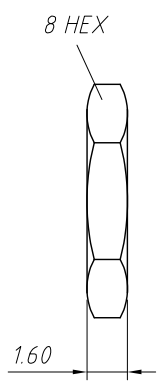
Electrical:
 Impedance: 50Ω
 Temperature Range: -65°C to +165°C



Recommended Mounting Hole Dimensions

ANGLE TOLERANCE	PROJECTION	Description:	PCB Mount SMA Connector Straight (Jack, Female & Male, 50Ω)
±3°			
GENERAL TOLERANCE	UNITS	mm	KLS P/N: L-KLS1-SMA001JB (Male)
x.x ±0.30	SHEET SIZE	A4	NingBo KLS ELECTRONIC CO.,L TD.
x.xx ±0.20	Draw:	Daniel	
x.xxx ±0.10	Check:	Daniel	

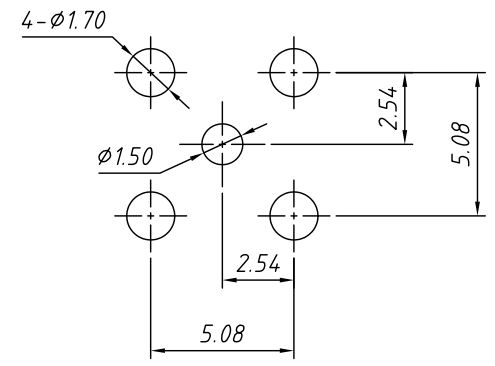
1
RoHS Compliance



Material:
 Body: Brass, Gold Plating
 Contact Pin: Ber. Copper, Gold Plating
 Insulator: Teflon, Natural
 Lock Washer: Brass, Gold Plating
 Hex Nut: Brass, Gold Plating

Electrical:
 Impedance: 50Ω
 Temperature Range: -65°C to +165°C

Note:
 Max. Panel Thickness = 7.5mm



Recommended Mounting Hole Dimensions

ANGLE TOLERANCE	PROJECTION	Description:	PCB Mount SMA Connector Straight (Jack, Female & Male, 50Ω)
$\pm 3^\circ$			
GENERAL TOLERANCE	UNITS	mm	KLS P/N: L-KLS1-SMA001J (Female)
x.x ± 0.30	SHEET SIZE	A4	
x.xx ± 0.20	Draw:	Daniel	2020-11-11
x.xxx ± 0.10	Check:	Daniel	2020-11-11

